

RS485 to RS232 Bridge - Allows RS485 data to be displayed on PC using terminal program.

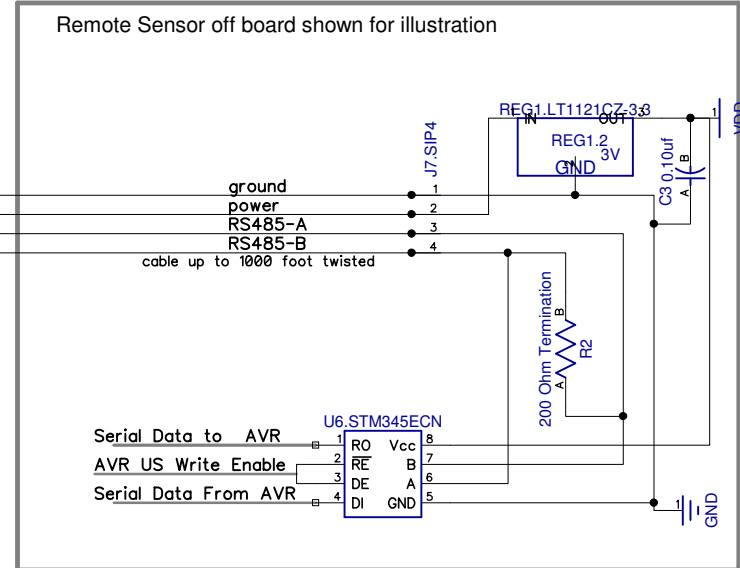
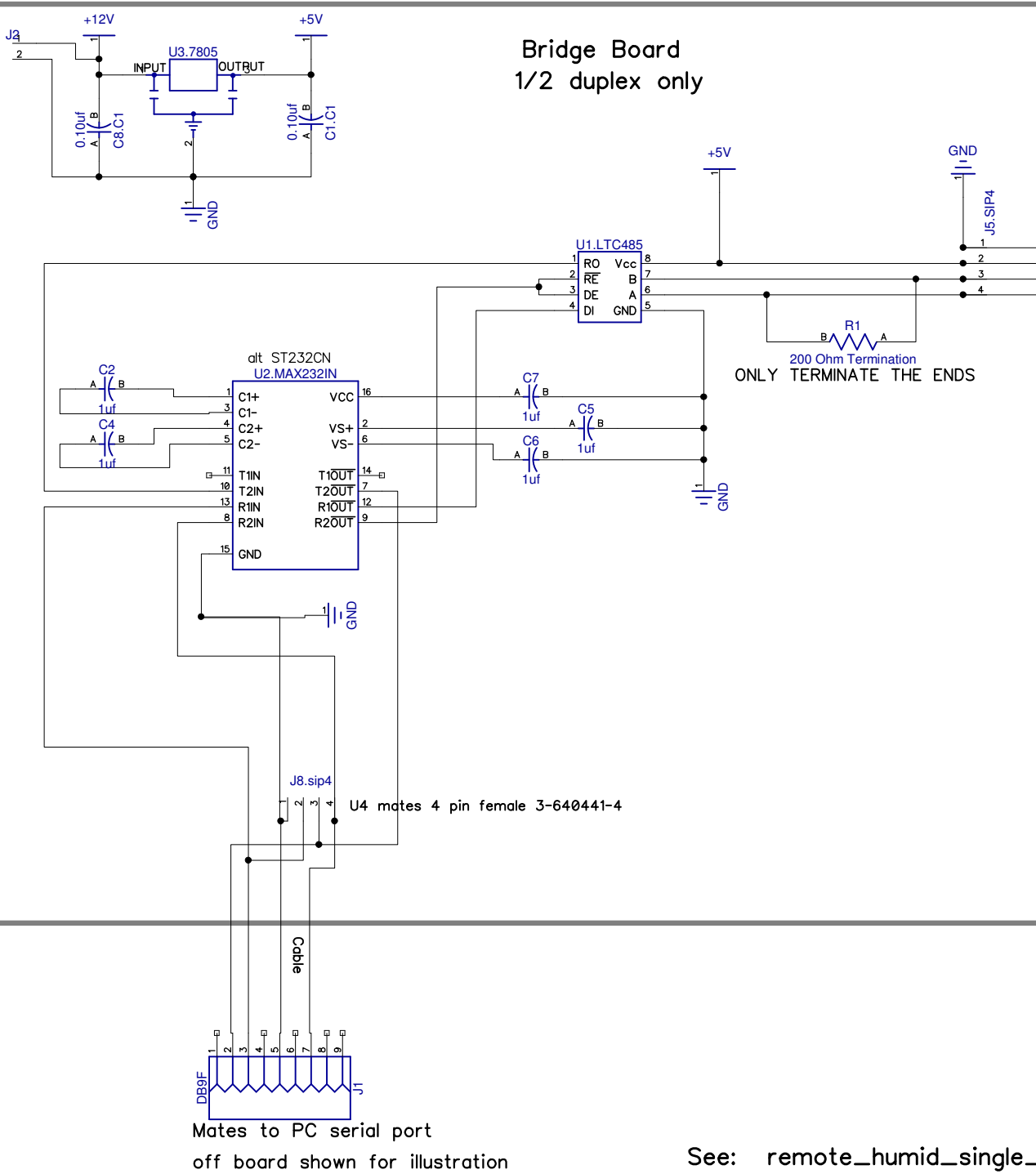
(C) Joseph Ellsworth Jan 2010 Free use for all but no warranty and keep this copyright.

I also offer custom design services 206-601-2985

Designed to allow easy test of remote RS485 sensors.

RS485 allows cable runs up to 4,000 foot with up to 32 nodes.

Addition of RS485 to the AVR Tiny CPU and cap sensor increased power consumption by from 3.5 Ma to 20mA



Tested with Tiny84 driving cap sensor

Requires custom use of RTS on PC RTS must Be on for PC to transmit and off to receive realterm.sorceforge.net allows manual control of RTS on the PC.

Bridge supplies power to remote sensor which then regulates to 3V. If remote power is available then can remove that wire. May be better to feed 12V as power to allow longer lines before voltage drops too much

When using ST232cn instead of MAX232 C2,C4, C5,C6,C7 0.1uf capacitors can be used instead of 1uf.

See: remote_humid_single_sesor.pdf for full client sensor schematic